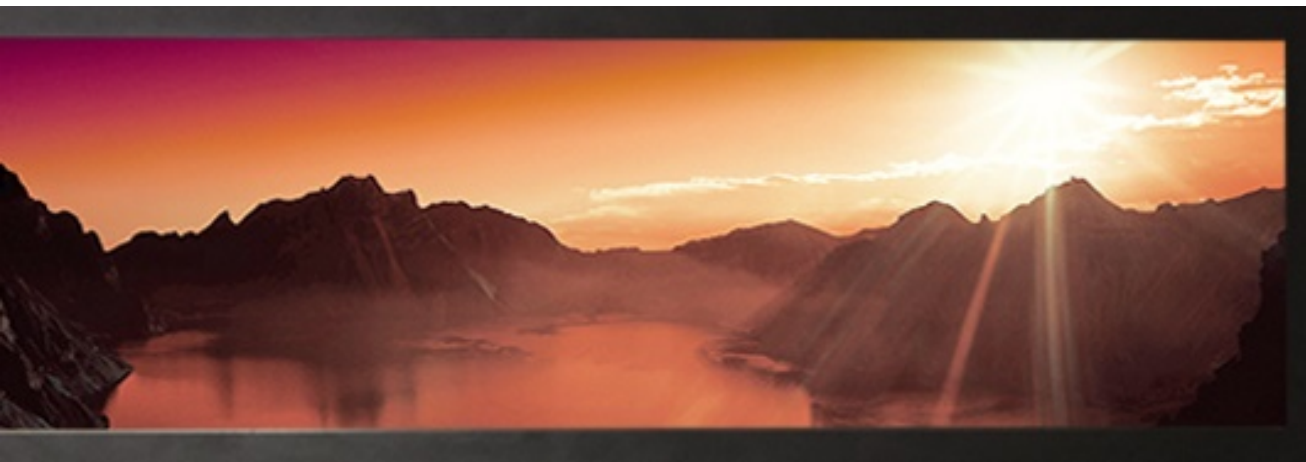


PA28H



Panoramic LCD

Stretch Your Imagination



Panoramic Display



PA28H

Panel Attributes

Panel Technology	28" Stretched LED-LCD
Screen Size (Diag.)	28.5" (1/2 cut of 32")
Native Resolution	1920x540
Active area (mm)	698.4x196.4
Brightness (Typ.)	700nit
Contrast Ratio (Typ.)	5000:1
Displayable Colors	1.07B (Dithered 10bit)
Viewing Angle	178° / 178°
Response Time (Typ. GTG)	8ms



Dimensions, Power & Other

Dimension (W x H x D)	861x273x80 (mm) / 33.88"x10.73"x3.14" (In)
Wall Mount	Included
Vesa Pattern (mm)	200x200
Electrical Ratings / Power Type	AC 100 - 240V (50/60Hz) / Power Adapter 24V
Power Consumption (Typ.)	55W / 0.8A
Operating Temperature	32°F - 104°F
Operating Humidity Range	20~80%
Industrial Reliability	30,000+Hours
Warranty	Two years (parts & labor)



Customized Housing

All GPO Display Commercial LCD monitors feature the option of custom housing (front bezel/rear cover). Custom colors, logos and other designs are possible and allow you to match the interior design of a particular room or to match university or corporate colors.

Connectivity

HDMI	2
VGA	1
RS232C	1
USB (Plug-and-play Media player)	1
SD Card (Media player)	Optional
Audio port	1 (Phone jack), 1 RCA



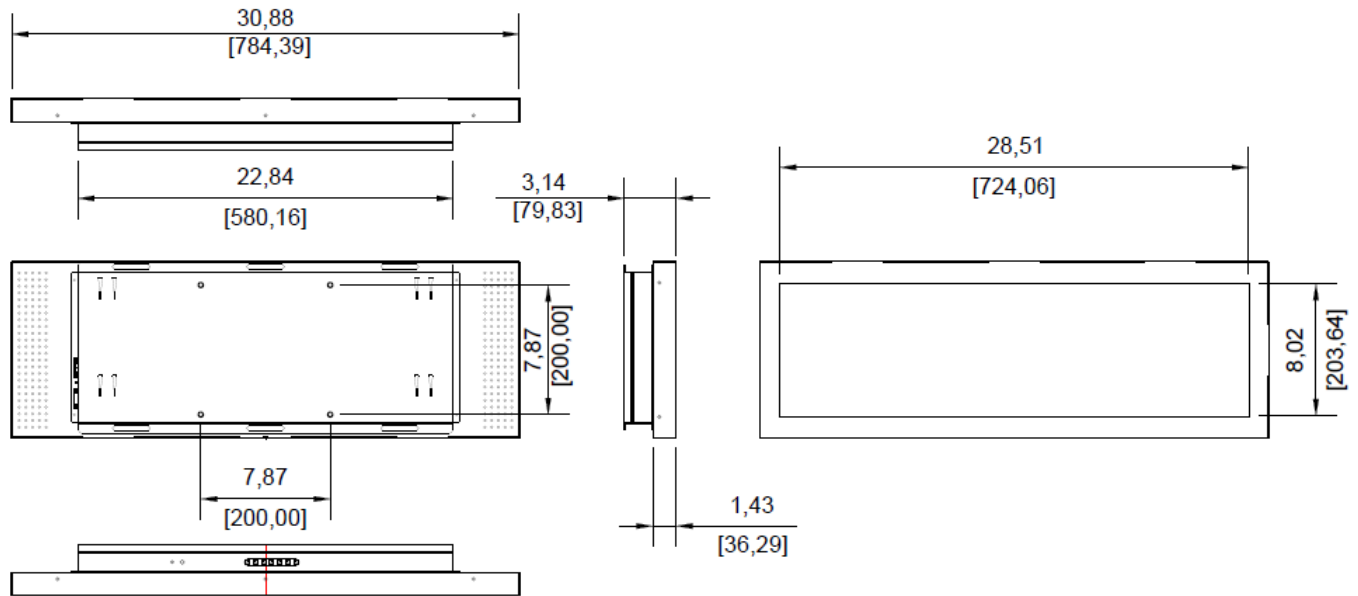
- ✓ Built-in Plug-and-Play USB Multimedia Player
- ✓ Unique aspect ratio
- ✓ Tempered Glass (Optional)

- ✓ Clean metal (EGI) bezel (unbranded-custom logos available upon request)

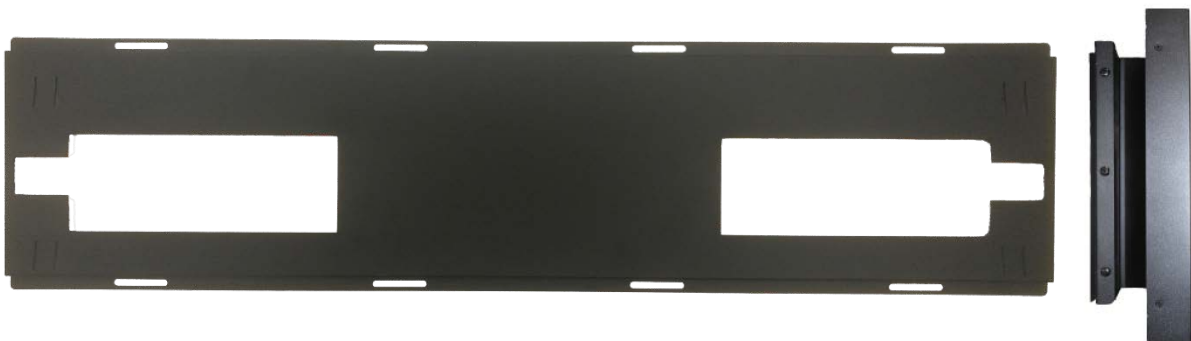


* GPO Display may change specifications and designs without notice.

GPO Display's [PA-series](#) panoramic/bar displays offer a unique approach to digital signage. Featuring a distinctive, "stretched" aspect ratio, these displays fit in spaces which traditional 16:9 displays will not. Menu boards, ad space and lobby signage all benefit from the eye-catching design. [Ask GPO Display](#) for custom/alternative options including logos and custom color housing.



Wall Bracket



Product specification and design are subject to change without notice.

Copyright 2017, GPO Display All rights reserved. This document may not be copied in any form without written permission from GPO Display Rev. 020117-R01