

TS21OP10



Projected Capacitive (PCAP) Touch Display

GPO Display's commercial-grade PCAP touch screens are dependable, sleek, and customizable. Each model can be fully enclosed (front bezel & rear cover) or can take the form of a semi-openframe monitor with no rear cover. This makes integration into wall pockets, kiosks or other existing fixtures easier and more cost-effective. For standalone, wall-mounted applications, housing can be customized in terms of color, finish, and third-party logo.

- Semi-openframe models feature glass edge-to-edge
- Easy to clean (water and dust-resistant)
- Smooth, responsive touch
- Excellent viewing angle

TS21OP10

Panel Attributes

Screen Size (Diag.)	21.5"
Panel Technology	Commercial-grade a-Si TFT active matrix
Resolution	1920 x 1080
Pixel Pitch (mm)	0.248(H) x 0.248 (V)
Active Display Size	476.64(H) x 268.11(V)
Brightness (Typ.)	250nit
Contrast Ratio (Typ.)	3,000:1
Displayable Colors	8bit(D), 16.7 Million colors
Viewing Angle	89°/ 89°/ 89°/ 89°(L/R/U/D)
Response Time (Typ. GTG)	18ms
Aspect Ratio	16:9
Refresh rate	60Hz

Dimensions, Power & Other

Dimension (W x H x D)	20.47" x 12.4" x 1.78"
VESA Pattern (mm)	100 x 100
Electrical Ratings	AC 100 - 240V (50/60Hz)
Power Consumption (Max.)	ON: 25W / Power Savings Mode: < 0.5W
Touch	Yes
Power Type	12V / 3.3A AC-DC Adapter
DPMS Mode	Yes
Operating Temperature	32°F - 122°F
Operating Humidity Range	10~90% (non-condensing)
Possible Display Type	Landscape and Portrait-Compatible
Industrial Reliability	50,000+ Hours
Warranty	Two Year Limited (parts & labor)

Connectivity

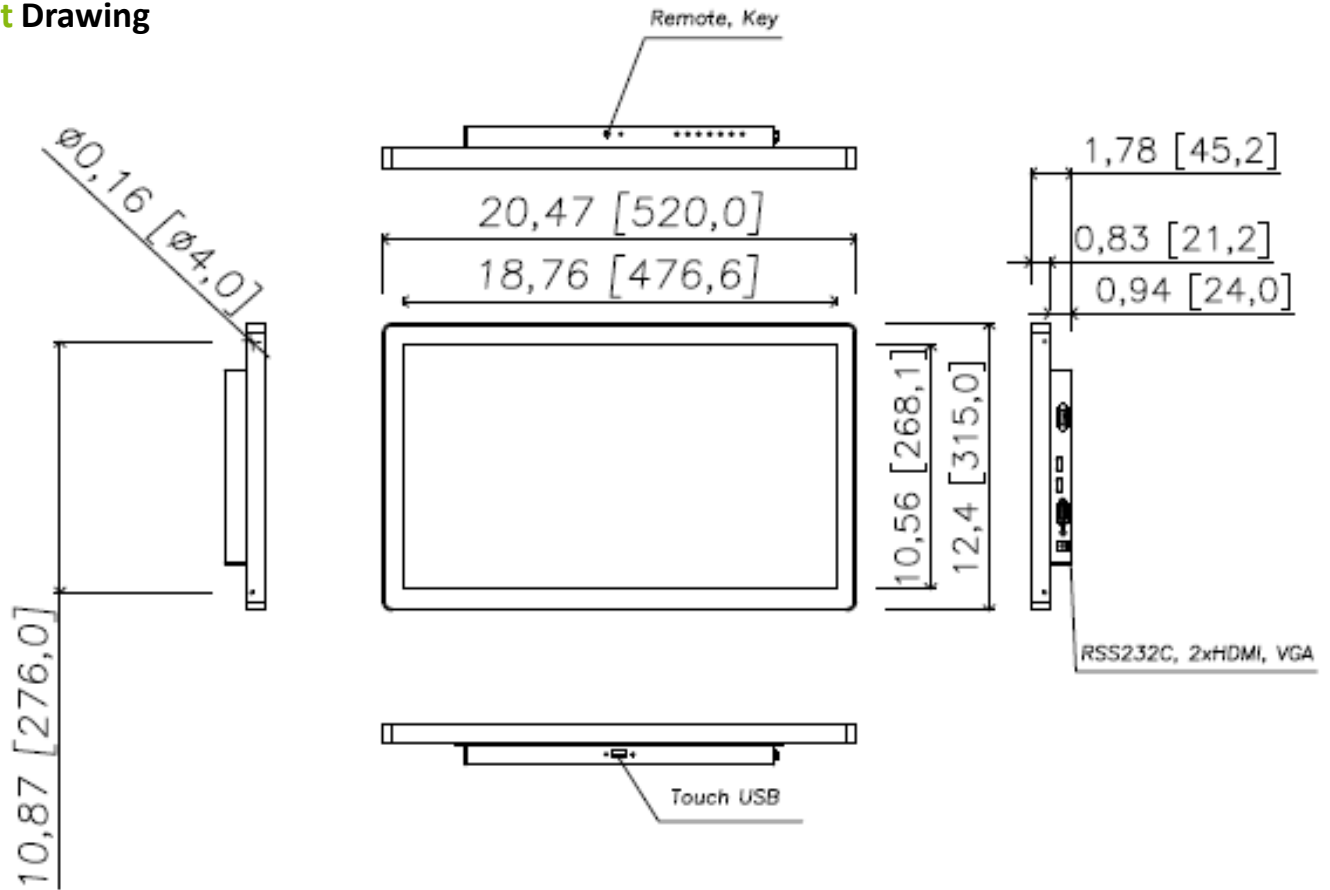
HDMI	2 x Input
RGB	1 x Input
RS232C	1 x Input
Audio (3.5mm Stereo Jack)	1 x Input (Optional)
Internal Speaker (3W)	Optional

Touch Specification

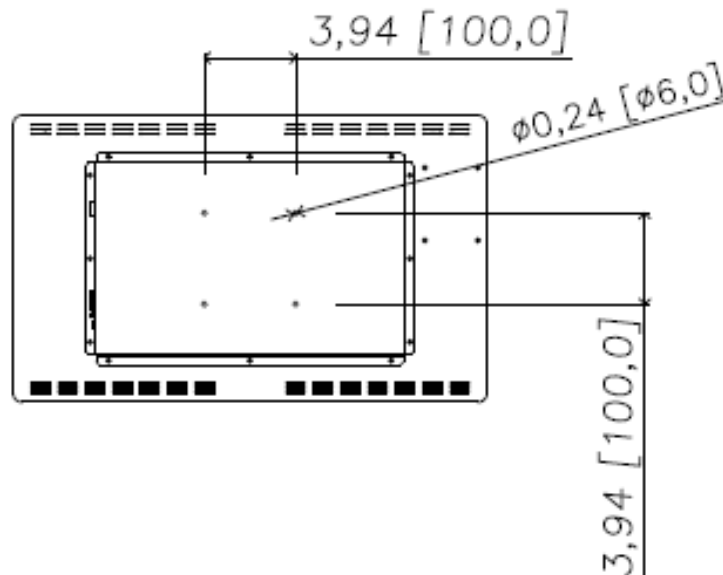
Technology	ITO Projected Capacitive Touch
Glass	3mm Tempered Glass
Response Time	16ms
Interface	USB 2.0, HID Compliant, Plug & Play
Simultaneous Touch Pts	10 pt
Supported OS	Windows / Android / MAC / Linux
Calibration	Requires no software
Detection Method	Finger, gloved hand or any other pointer
Mini PC "pocket" (slide-in mounting position)	Optional

Mechanical Drawing

Front Drawing



Rear Drawing



Note: GPO Display may change specifications and designs without notice

Accessories with product: RS-232 cable, HDMI cable, AC Power Cord, Remote Control, Batteries for remote control, User manual & Software on USB Flash Drive

