

# TS65KP10



*Visual solutions created for you*



## Projected Capacitive (PCAP) Touch Display

GPO Display's commercial-grade PCAP touch screens are dependable, sleek, and customizable. Each model can be fully enclosed (front bezel & rear cover) or can take the form of a semi-openframe monitor with no rear cover. This makes integration into wall pockets, kiosks or other existing fixtures easier and more cost-effective. For standalone, wall-mounted applications, housing can be customized in terms of color, finish, and third-party logo.

- Semi-openframe models feature glass edge-to-edge
- Multiple Sizes available - 21.5", 23.8", 27", 32", 55", 65", 75" 86"
- Easy to clean (water and dust-resistant)
- Smooth, responsive touch
- Excellent viewing angle

# TS65KP10

## Panel Attributes

Screen Size (Diag.)	65"
Panel Technology	Commercial-grade LED-LCD
Resolution	3840 x 2160
Active Display Size	1428.48(H) x 803.52(V)
Brightness (Typ.)	500nit
Contrast Ratio (Typ.)	1,400:1 / 500,000:1 (DCR)
Displayable Colors	1.07 billion (10bit)
Viewing Angle	176°/ 176°
Response Time (Typ. GTG)	5ms
Aspect Ratio	16:9
Refresh rate	60Hz

## Dimensions, Power & Other

Dimension (W x H x D), Weight	59.58" x 34.97" x 2.69", 148lbs
VESA Pattern (mm)	600 x 400
Electrical Ratings	AC 100 - 240V (50/60Hz)
Power Consumption (Tpy.)	173W, Standby <0.5W
Touch	Yes
Mullion Compensation	Remote control
DPMS Mode	Yes
Operating Temperature	32°F - 122°F
Operating Humidity Range	10~90% (non-condensing)
Possible Display Type	Landscape and Portrait-Compatible
Industrial Reliability	50,000+ Hours
Warranty	Two Year Limited (parts & labor)

## Connectivity

HDMI	3 x Input (3840x2160 @60Hz)
DisplayPort	2 x Input, 1 x Output
Audio (3.5mm Stereo Jack)	1 x Input
Internal Speaker	2 x 10W
USB Port	1 (firmware updates only)
RS232	1
AC Power Inlet	1

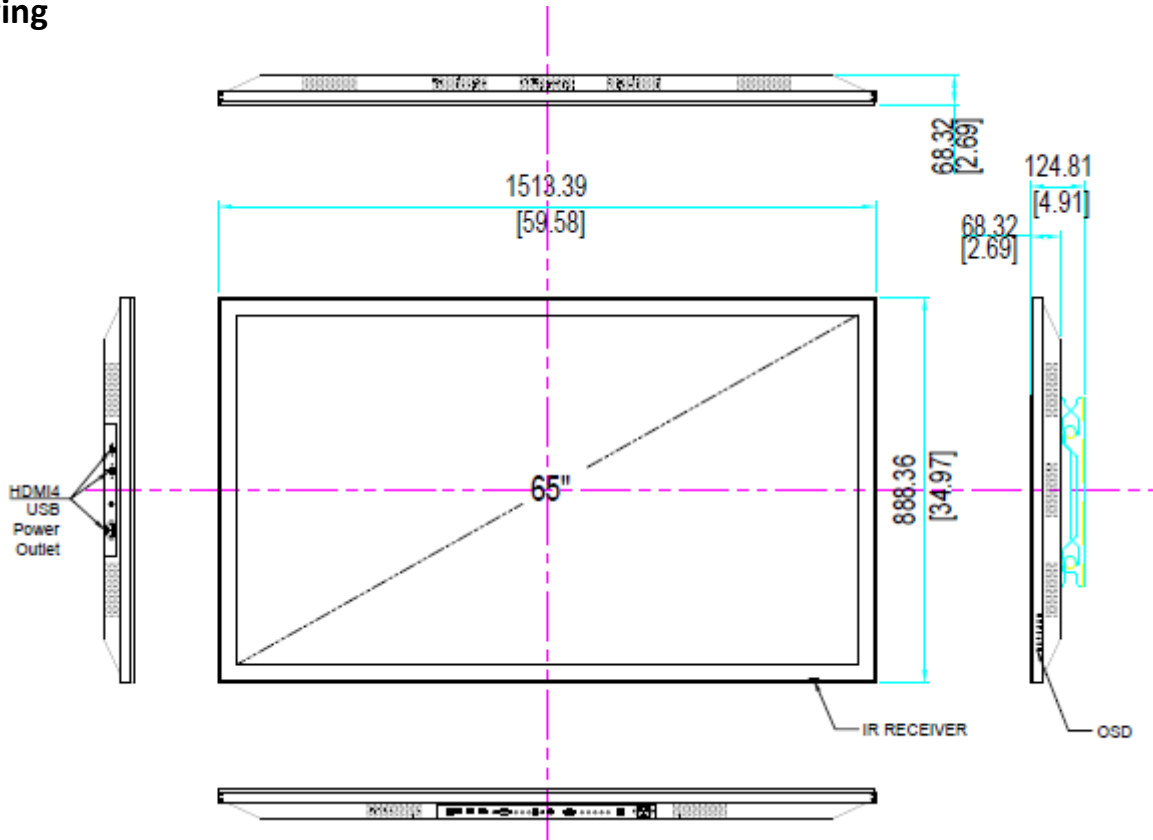
## Touch Specification

Technology	Projected Capacitive Touch (Mesh Matrix)
Glass	5mm AG-Coated Tempered Glass
Response Time	10ms
Interface	USB 2.0, HID Compliant, Plug & Play
Simultaneous Touch Pts	10 pt
Supported OS	Windows / Android / MAC / Linux
Calibration	Requires no software
Detection Method	Finger, gloved hand or any other pointer
Mini PC "pocket" (slide-in mounting position)	Optional

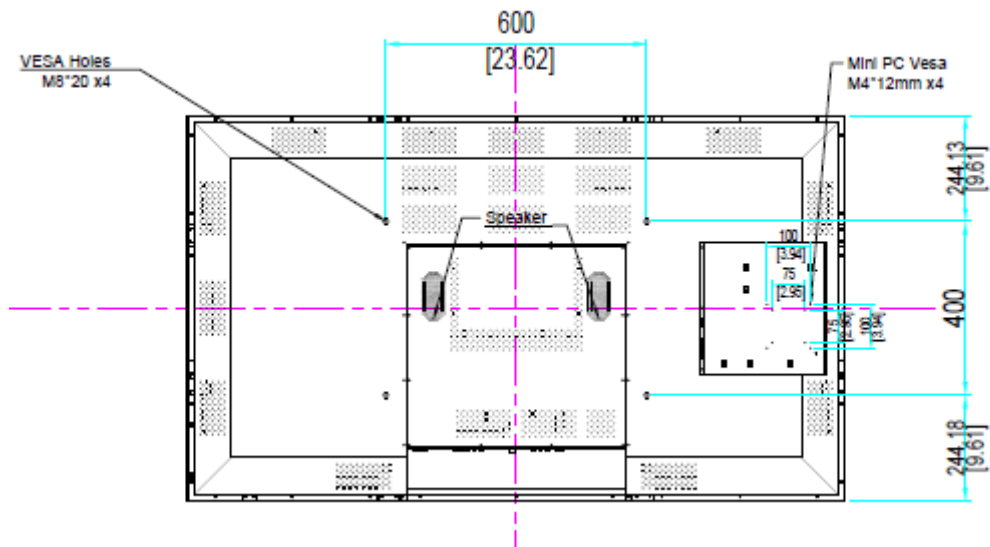


# Mechanical Drawing

## Front Drawing



## Rear Drawing



Note: GPO Display may change specifications and designs without notice

Accessories with product: RS-232 cable, DVI cable, VGA cable, AC Power Cord, Remote Control, Batteries for remote control, User manual & Software on USB Flash Drive

