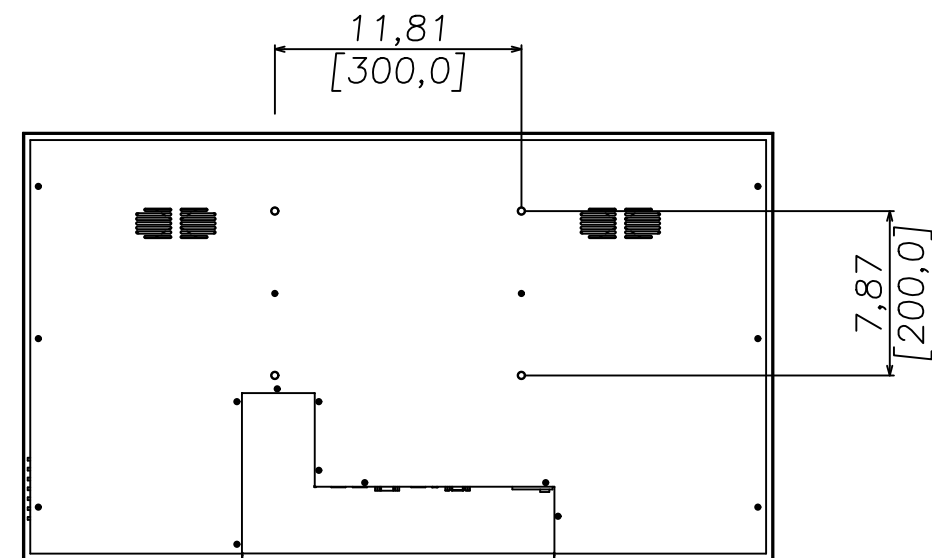
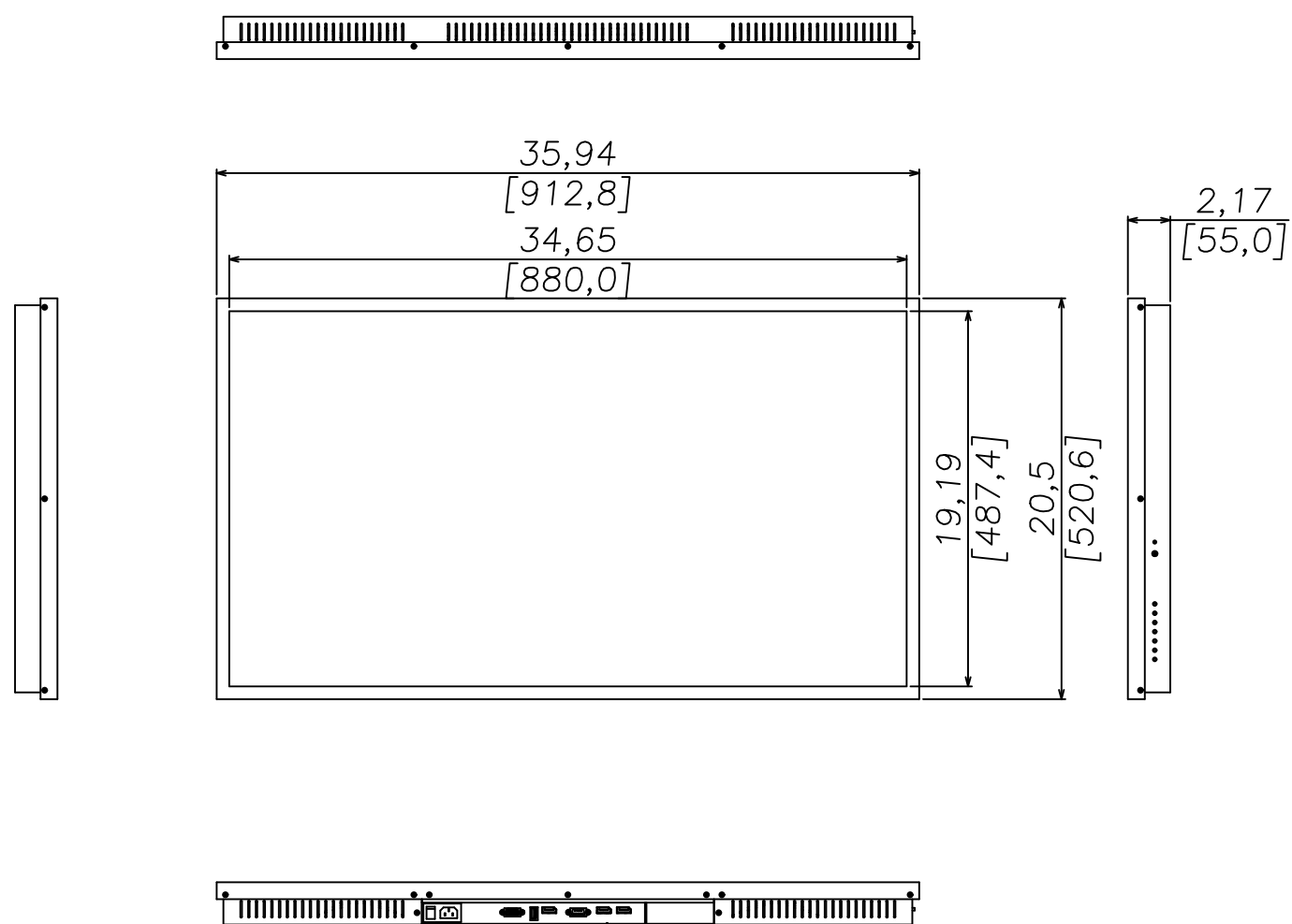


DK40N

40inch 4K Cepella, 300x200 User Dimension



DATE		www.gpodisplay.com			
MATERIAL	NO.	NAME	QTY	REMARK	
HEAT TREATMENT	SCALE	DRAWN	DESIGNED	APPROVED	TITLE
AFTER TREATMENT					DK40N (300x200)
WEIGHT					DWG NO.
FINISHING	A0	GPO Display			
PROJECTION					