

DU43KC



43" InteracTable

Multiple Designs to Fit Any Space

GPO Display InteracTable series offers multi-touch functionality with a wide variety of housing options. All InteracTable models feature capacitive touch, commercial-grade LCD panels and options for embedded PC and custom logos/colors.



Housing Options

DU43KC-AD (Auto-Adjustable)

0-45 degrees

The Auto-Adjustable housing design features a motorized tilt mechanism which makes fine-tuned touch screen angle adjustment possible with the push of a button. This motorized angle adjustment ensures a comfortable interactive experience, whether you are collaborating, presenting, or reviewing information.



DU43KC-LB (Lobby)



Standing 21" in height, the Lobby table design provides ideal touch access for users seated on couches or waiting-room tables. The lower height and traditional four-leg design of this InteracTable gives it a "coffee table" feel—the ideal addition to any lobby or entranceway.

DU43KC-FT (Flow-Thru)

The Flo-Thru table design offers striking housing along with a hidden access panel for running cabling and hiding small form-factor PCs or other devices.



Housing Options

DU43KC-TR (Table-Ready Display)

The Table-Ready display is ideal for integration with existing table housing or cutouts. While GPO Display offers a wide range of turnkey tables, the Table-Ready display can be placed in much larger conference tables, wooden tables, and more.



DU43KC-SP (Staple)



The Staple design combines the unique, eye-catching elements of the "Flow-Thru" with spacious cabinetry for PCs and other devices. These can be easily accessed by a door that opens to the bottom/interior of the table housing.

DU43KC-PD (Pedestal)

Pedestal InteracTables are perfect for housing devices such as desktop PCs within the cabinetry below the display. This makes for an attractive, self-contained touch table where cabling, computing and other components are both obscured from view and locked away to prevent access.



Specifications

Panel Attributes

Panel Technology	Commercial-grade IPS LED-LCD
Surface Treatment	Hard coating (2H), Anti-glare treatment of the front polarizer (Haze 28% typ.)
Screen Size (diag.)	42.51"
Native Resolution	3840 x 2160
Active Area (mm)	941.18 x 529.42
Brightness (typ.)	450nit
Contrast Ratio (typ.)	1,000:1
Displayable Colors	10bit(D), 1.07 Billion colors
Viewing Angle	178°/ 178°
Aspect Ratio	16:9
Refresh Rate	60Hz

Dimensions, Power & Other

Dimensions (W x H x D)	Built to Spec.
Electrical Ratings	AC 100 - 240V (50/60Hz)
Power Consumption (typ.)	90W
Standby Power Consumption	>0.5W
Operating Temperature	32°F - 122°F
Operating Humidity Range	20~90%
Industrial Reliability	50,000+ Hours
Usage Ratings (hrs/days)	24/7**
Warranty	One Year (parts & labor)
Built-in speaker	10W x 2

**Consult with GPO Display regarding best practices for preventing image retention and for prolonging display lifetime.

Specifications

Connectivity

HDMI	3 x Input
DisplayPort	2 x Input, 1 x Output
RS-232	1 x Input, 1 x Output
Power Switch	1
External USB Port	2
External AC Inlet	1
External LAN Port	1

Touch Specification

Technology	Projected Capacitive Touch
Glass	3mm Tempered Glass
Simultaneous Touch Points	10 pt
Touch Accuracy	2mm
Response Time	15-30ms
Interface	USB 2.0, HID-Compliant, Plug & Play
Supported OS	Windows / Android / Mac* / Linux (1pt)
Detection Method	Finger or specialized sylvus
Min. Touch Object Size	9mm

*Drivers may be required for Mac OS. Contact GPO Display for more information.

Includes:

- PCAP 10pt touch
- Water-resistant surface
- Tempered protective glass

Options:

- Custom height or color
- Variation in screen angle
- Touchtech Lima software
- PC

Optional Computing

TAA-Compliant 4K Mini PC - 1.3 Liter Slim PC, LGA 1200; H470 Chipset; Dual-LAN, Max 64GB DDR4 SODIMM; Triple Display 4K Support

Operating System	Windows 11 Pro
CPU	i5-12400 6-Core Processor
RAM	8gb (4gb*2) Total
Storage	128gb SATA III SSD
Power	90W Power Adapter
Ethernet	Intel I210AT*2 Dual Lan 10Mb/s,100Mb/s,1Gb/s Operation
Operating Temperature	0°C ~ 50°C
Audio	Realtek ALC662 High Definition Audio
WiFi Connectivity	Included*
Bluetooth	Included*
Video Output	HDMI 2.0 x 1, DisplayPort x 2 Triple video outputs
Front Panel	(2) USB 3.2 Gen1 ports (Include Type C x1) (2) USB 3.2 Gen2 ports (1) Microphone-In (1) Earphone-Out (1) Power-On button (1) Power LED (1) HDD LED (1) SD Card reader
Back Panel	(2) RJ45 Gigabit LAN port w/LED (1) HDMI port (2) Display port (2) USB 3.2 Gen1 ports (2) USB 3.2 Gen2 ports (1) RS232 (1) RS232/RS422/RS485 (1) External 4pin header (1) DC-in (2) Wireless Antenna fixture (1) Kensington lock

**Can be removed on request*

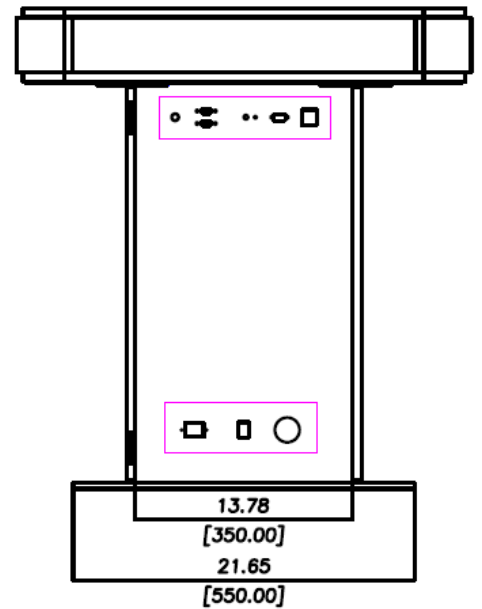
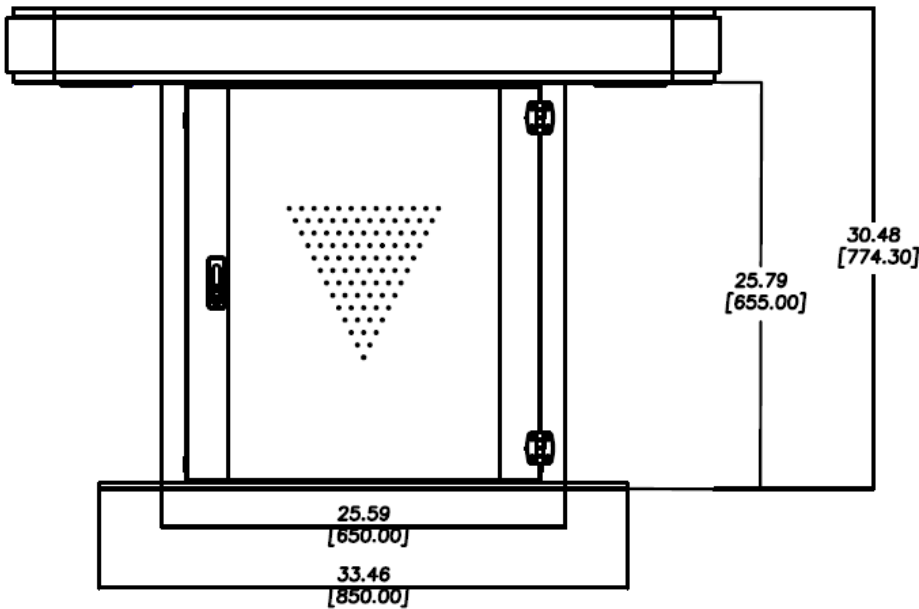
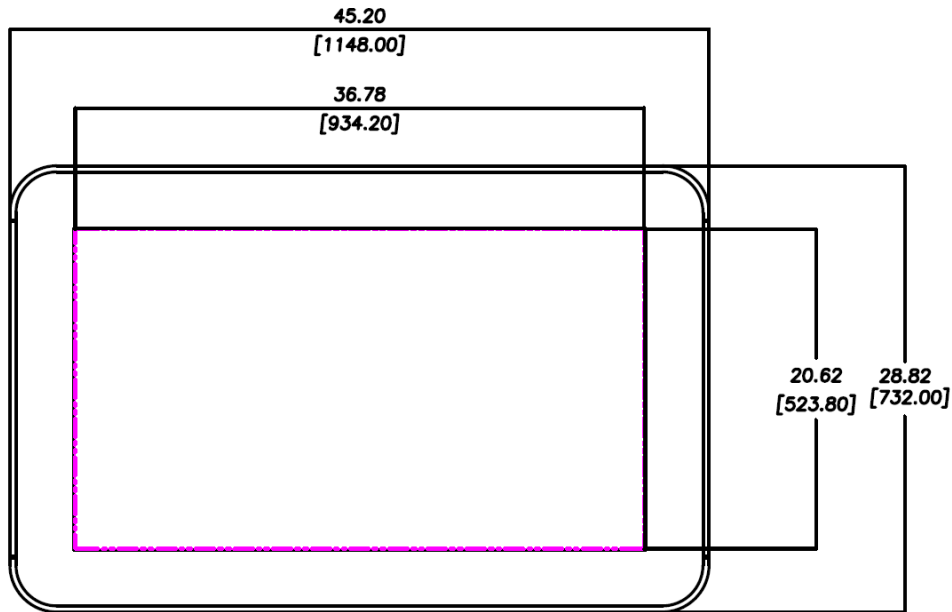


Product specification and design are subject to change without notice.

Copyright 2024, GPO Display All rights reserved. This document may not be copied in any form without written permission from GPO Display

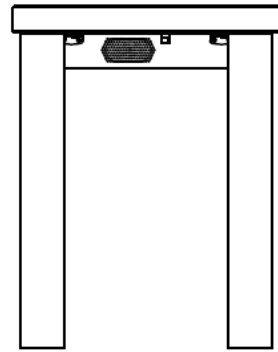
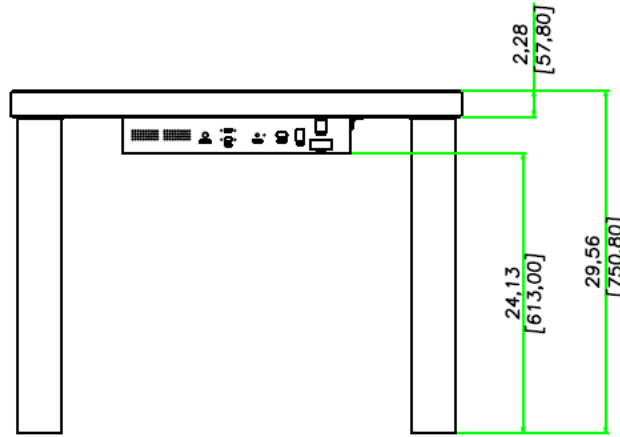
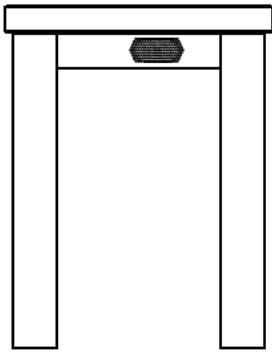
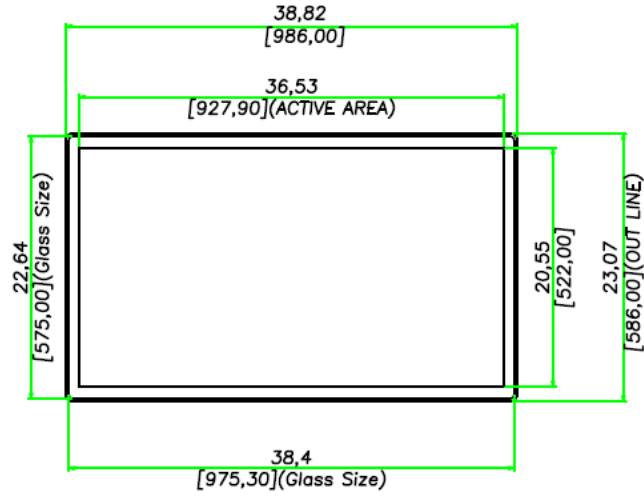
Drawings

Pedestal Design



Drawings

Lobby Design



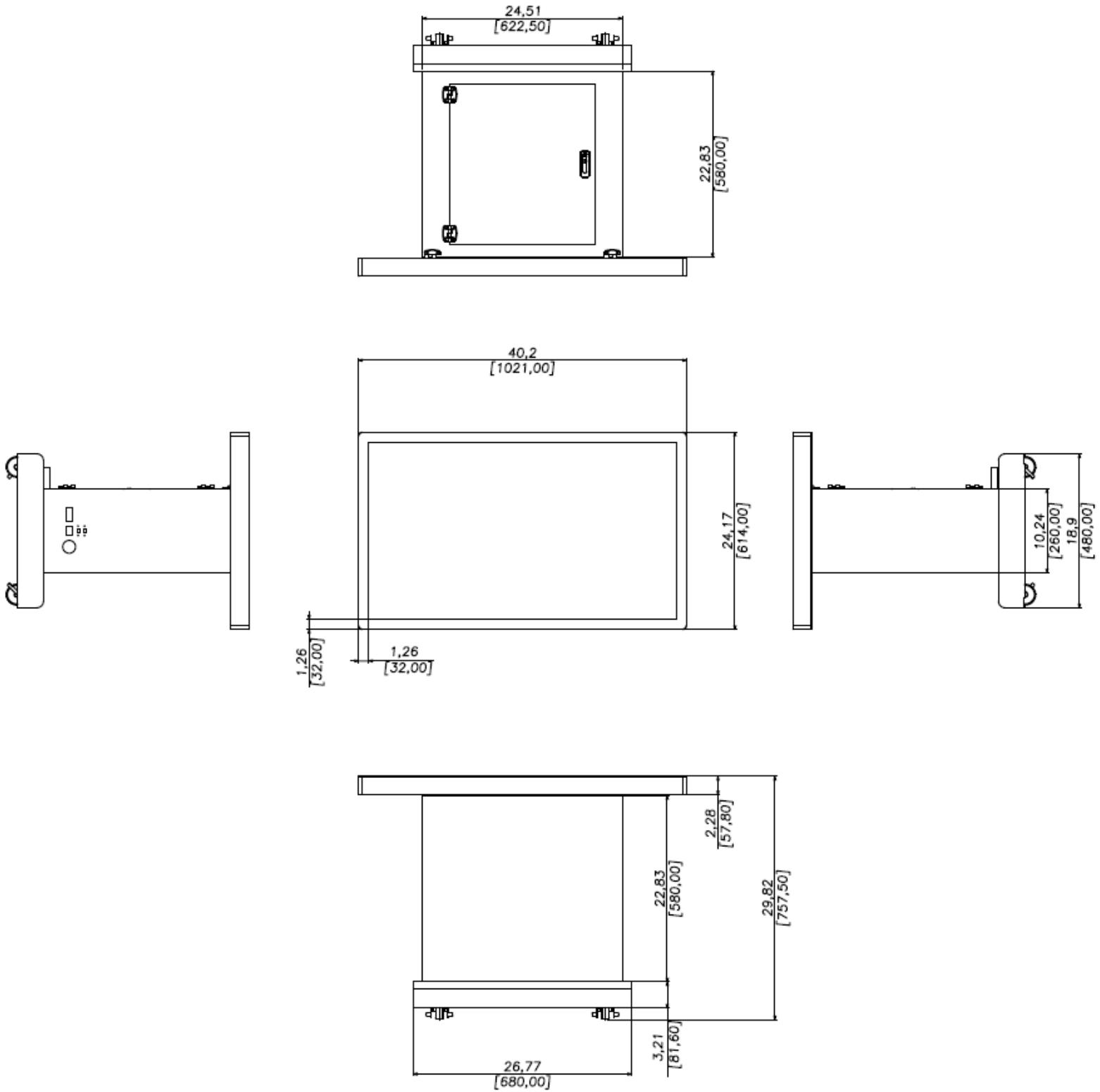
Product specification and design are subject to change without notice.

Copyright 2024, GPO Display All rights reserved. This document may not be copied in any form without written permission from GPO Display



Drawings

Adjustable Design



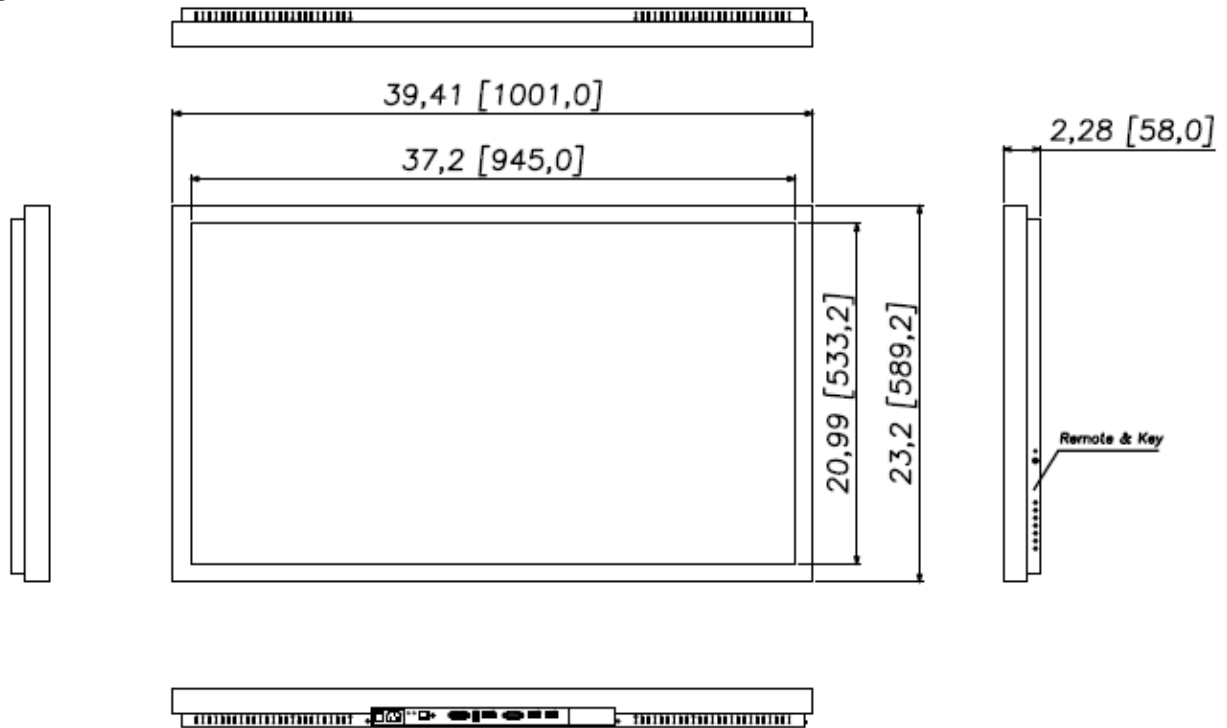
Product specification and design are subject to change without notice.

Copyright 2024, GPO Display All rights reserved. This document may not be copied in any form without written permission from GPO Display

Drawings

Table-Ready Design

Front View



Rear View

