

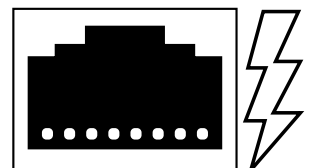
EM21SL



PoE Monitor

Secure Line

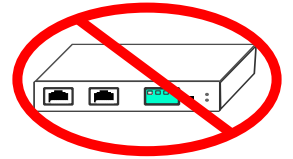
GPO Display's Power Over Ethernet (PoE) Monitors are designed to deliver critical, detailed information in versatile environments where traditional power solutions are impractical. Additionally, the secure line option ensures enhanced security for sensitive information, while the Android SoC option provides robust, built-in processing power for seamless performance.



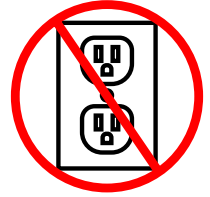
Highlights

EM21SL

No need for a separate PoE splitter.



No AC outlet required.



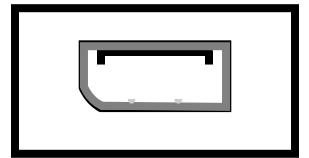
12/24VDC Outlet for third-party devices such as media players.

12V	+
V-	-
24V	+

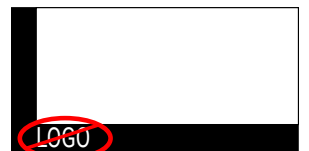
“Secure-Ready” = No NFC, RF, WiFi, or embedded computing.



DisplayPort output for duplicating images.



Sleek, unbranded/customizable, black powder-coated metal housing.



24/7-rated.



Specifications

Panel Attributes

Panel Technology	Commercial-grade LED-LCD
Surface Treatment	Hard Coating (3H), anti-glare treatment
Screen Size (diag.)	21.5"
Native Resolution	1920 x 1080
Active Area (mm)	476.064 (H) x 267.786 (V)
Brightness (typ.)	500nit
Contrast Ratio (typ.)	1,000:1
Displayable Colors	16.7M
Viewing Angle	178°/ 178°
Aspect Ratio	16:9

Dimensions, Power & Other

Display Dimensions (W x H x D) + Weight	19.72 x 11.64 x 1.82 (in), 16.53 lbs
Packed Dimensions (W x H x D) + Weight	25 x 16.5 x 9 (in), 21 lbs
Display Orientation	Landscape or Portrait
Mounting Pattern (mm)	75 x 75, M6
Built in Speaker	Yes
Electrical Ratings	AC 100 - 240V (50/60Hz)
Power Consumption (max.)	20W
Heat Output (BTU/hr)	109.2
Operating Temperature	32 ~ 104°F
Operating Humidity Range	-4 ~ 140°F
Industrial Reliability	30,000hrs+
Usage Ratings (hrs/days)	24/7
Warranty	Two Years (parts & labor)

Specifications, Cont.

Connectivity & PoE Info

HDMI	1 x Input
RS-232	1 x Input: 3-pin terminal block (3.5mm pitch)
DisplayPort	1 x Input, 1 x Output
RJ45	1 x PoE Input, 1 x Data Output
DC Plug Connector	2 x Input/Output, 1 x Output: 3-pin terminal block (5.08mm pitch)
Power Requirements	4-pair IEEE 802.3bt Type 3 or Type 4 PoE++ (60W+)
Standards Compliance	IEEE 802.3 10BASE-T Ethernet IEEE 802.3u 100BASE-TX Fast Ethernet IEEE 802.3ab 1000BASE-T Gigabit Ethernet IEEE 802.3bt 4-pair Power over Ethernet Type 4

***Notes:** Power availability depends upon Power Source Equipment (PSE). Actual Amperage requirements of input device are often different from those listed on device's AC-DC adapter. The above figures assume power for a single external device.

POE LED Status Indicators:

Blue = Active

Blinking Blue = Not Active

Accessories:

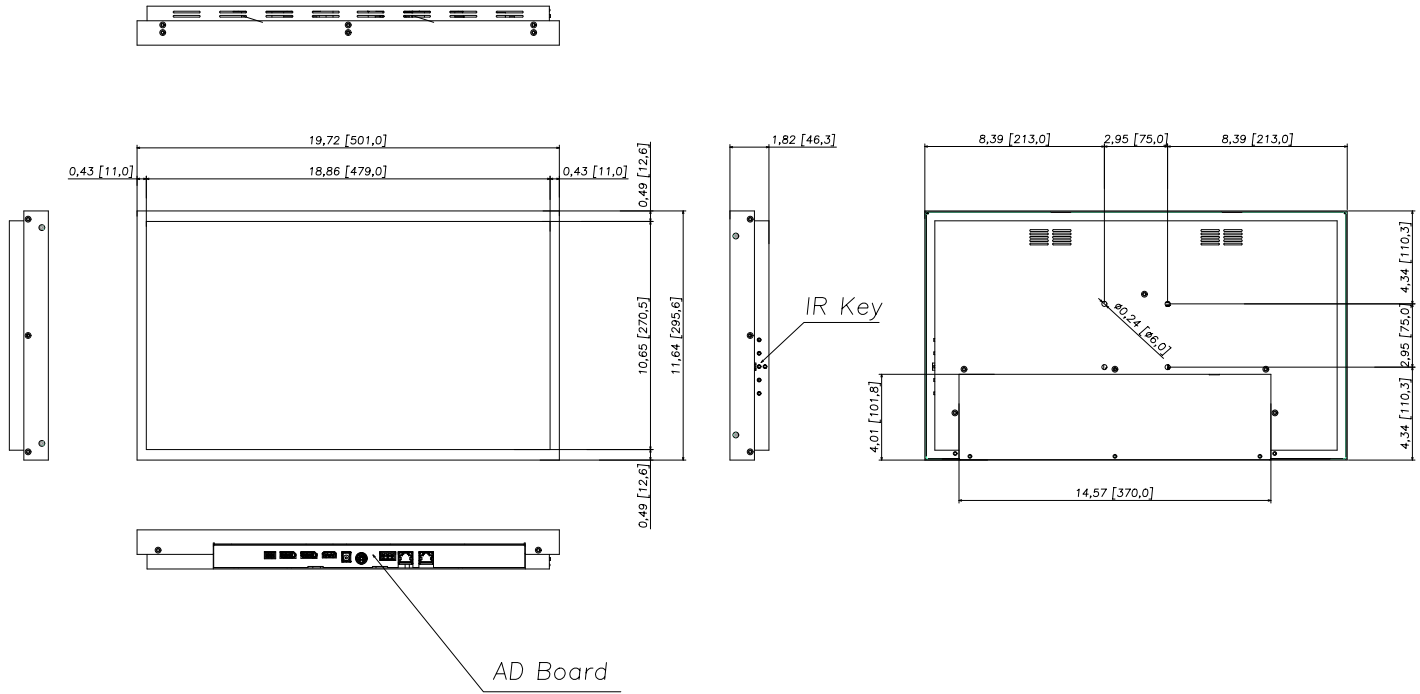
- (1) Slim mount
- (1) HDMI cable
- (1) DC power cable
- (1) Remote controller
- (2) AAA batteries
- (1) 1m Ethernet cable

Options:

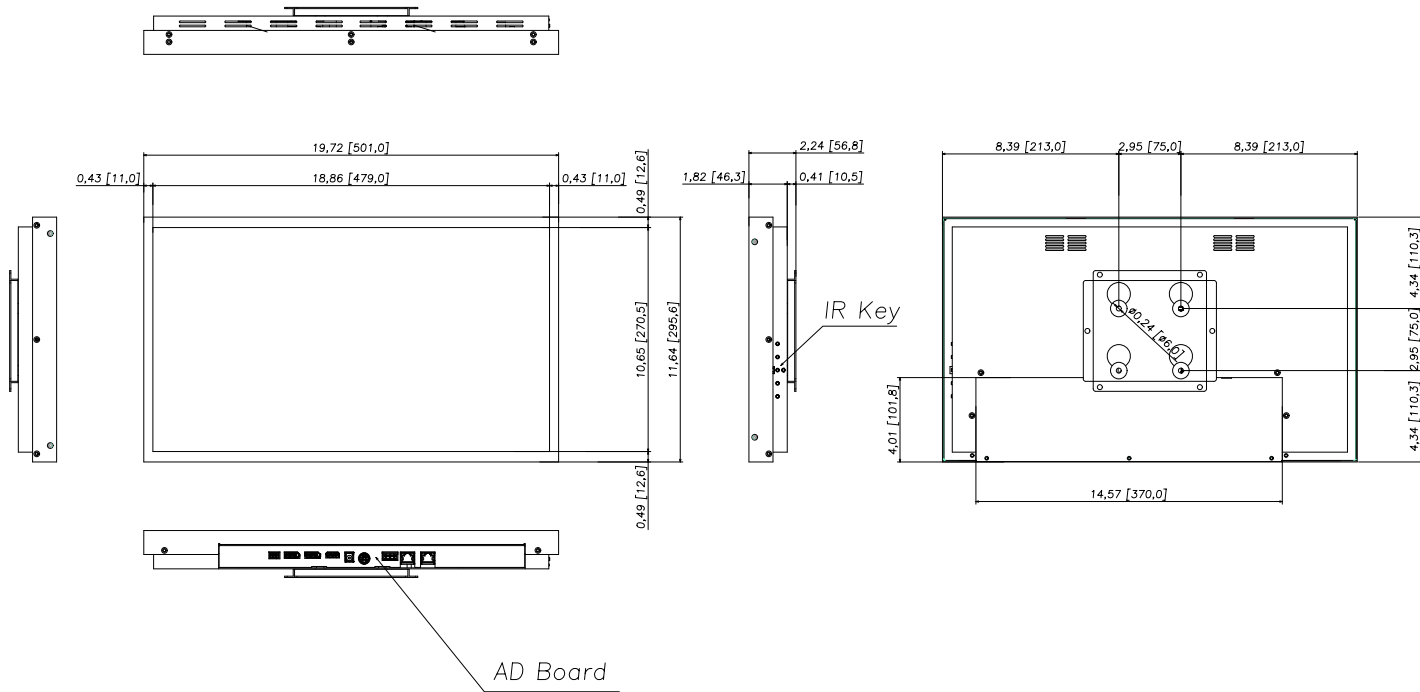
- Custom housing
- Custom colors
- Custom logos
- Other designs
- Tempered protective glass

Drawings

Display Only



Display & Wall Mount



Product specification and design are subject to change without notice.

GPO DISPLAY Copyright 2024, GPO Display All rights reserved. This document may not be copied in any form without written permission from GPO Display