

DVLC125



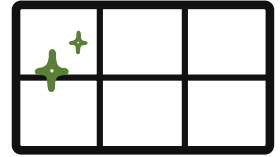
Direct View LED

Fine-Pitch Indoor COB Direct View LED Display

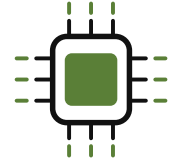
GPO Display's DVLC Series is a fine-pitch indoor Direct View LED display lineup designed for seamless, large-format video wall applications. Featuring COB LED technology, high brightness, and a high refresh rate, the series delivers sharp image detail and smooth visual performance for close-viewing indoor environments.



Seamless Direct View LED Experience



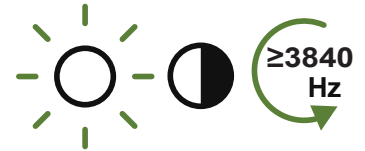
COB LED Technology



Visual Uniformity: Factory Color, Temperature, and Brightness Calibration



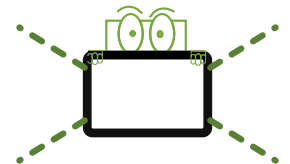
High Brightness, Deep Contrast, & High Refresh Rate



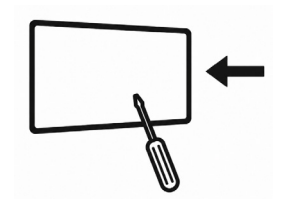
HDR Support



Wide Viewing Angle



Front-Serviceable Design



24/7 Rated



IP65 Front / IP30 Rear Protection



100,000-Hour Typical LED Lifetime



Specifications

Technology Specification

Product Type	Indoor Direct View LED
LED Technology	COB
Pixel Pitch	P1.25
Aspect Ratio	16:9
Controller	NovaStar

Physical Specification

Module Resolution (W x H)	120 × 135
Module Dimensions (W x H, mm)	150 × 168.75 mm
Modules per Cabinet (W x H)	4 × 2
Cabinet Resolution (W x H)	480 × 270
Cabinet Dimensions (W x H x D, mm)	600 × 337.5 × 35 mm
Cabinet Diagonal	27.1"
Cabinet Surface Area (m ²)	0.2025 m ²
Cabinet Pixels (pixels)	129,600 pixels
Pixel Density (pixels)	640,000 pixels/m ²
Weight per Cabinet (kg/Cabinet)	4.6kg
Weight per Square Meter (kg/ m ²)	22.7kg
Cabinet Material	Die-cast aluminum
Flatness of Cabinet (mm)	≤0.10

Video / Processing Specification

Refresh Rate (Hz)	≥3840 Hz
Grey Scale (Bit)	>13Bit
Input (Cabinet)	1 × RJ45 (signal), 1 × AC Power
Output (Cabinet)	1 × RJ45 (signal), 1 × AC Power

Specifications, Cont.

Optical Specification

Brightness (After Calibration, nit)	600–800 nits
Color Temperature (K)	6500–8500
Viewing Angle (H x V)	≥140° / ≥120°
Contrast Ratio	15,000:1
Color Space	sRGB
Displayable Colors	16.7M
HDR Support	Yes
Brightness Uniformity	≥98%
Color Uniformity	Within 0.003Cx, Cy

Electrical Specification

Power Consumption (Max.)	≤270 W/m ² , ≤160W/Cabinet
Power Consumption (Typ.)	≤90 W/m ² , ≤50W/Cabinet
Heat Generation (Max.) (BTU/hr)	114.6
Heat Generation (Typ.) (BTU/hr)	57.3
Power Supply (internal / remote)	Internal (based on cabinet)
Input Voltage	AC 100–240V

Environmental / Operational Specification

LED Lifetime (Half Brightness)	≥100,000 hours
Operating Temperature (°C)	0°C ~ 60°C
Operating Humidity	10% ~ 80% RH (non-condensing)
Storage Temperature (°C)	-10°C ~ 60°C
Storage Humidity	10% ~ 80%RH (non-condensing)
Usage Ratings (hrs/days)	24/7
IP Rating	IP65 (Front) / IP30 (Back)

Specifications, Cont.

Additional Info.

Orientation	Landscape
Environment	Indoor
Compatible Controllers	NovaStar
90-degree Corner Cut	No
Service Access (Front / Rear)	Front

Accessories:

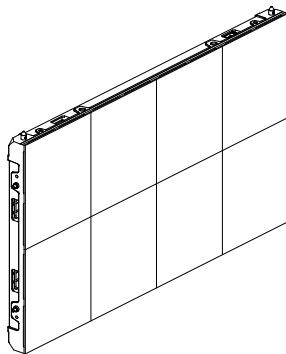
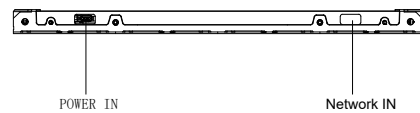
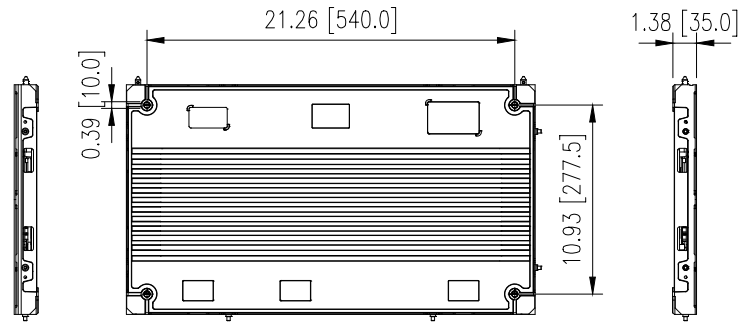
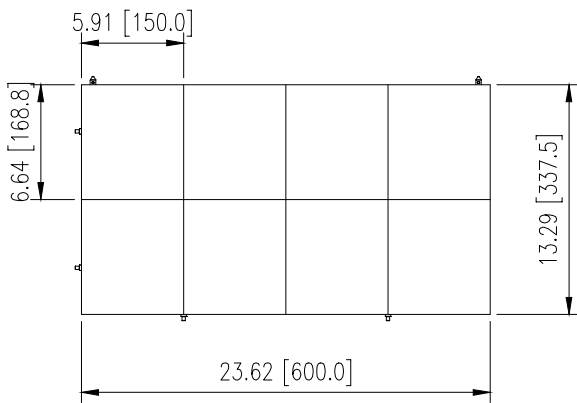
- Ethernet cable(s)
- Wall mounting bracket(s)
- Wall mounting plate(s)
- AC Power cable(s)
 - Hardwired or Direct-Wired
 - Cord-and-Plug

Options:

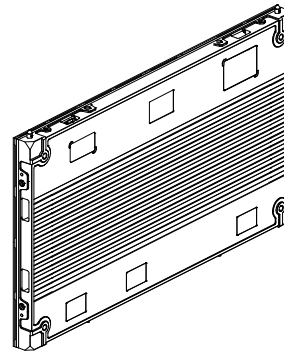
- Controller
 - 4-port (2.6million pixels)
 - 6-port (3.9million pixels)
 - 10-port (6.5million pixels)
 - 20-port (13million pixels)

Drawings

Display Only



Front



Rear

Product specification and design are subject to change without notice.

Copyright 2025, GPO Display All rights reserved. This document may not be copied in any form without written permission from GPO Display